

PRODUCT INFORMATION PACKET

Model No: 056C17F5326
Catalog No: F103
3/4, 1800, TEFC, 56, 1/60/115/208-230
Single Phase



Regal and Marathon are trademarks of Regal Beloit Corporation or one of its affiliated companies.
©2018 Regal Beloit Corporation, All Rights Reserved. MC017097E





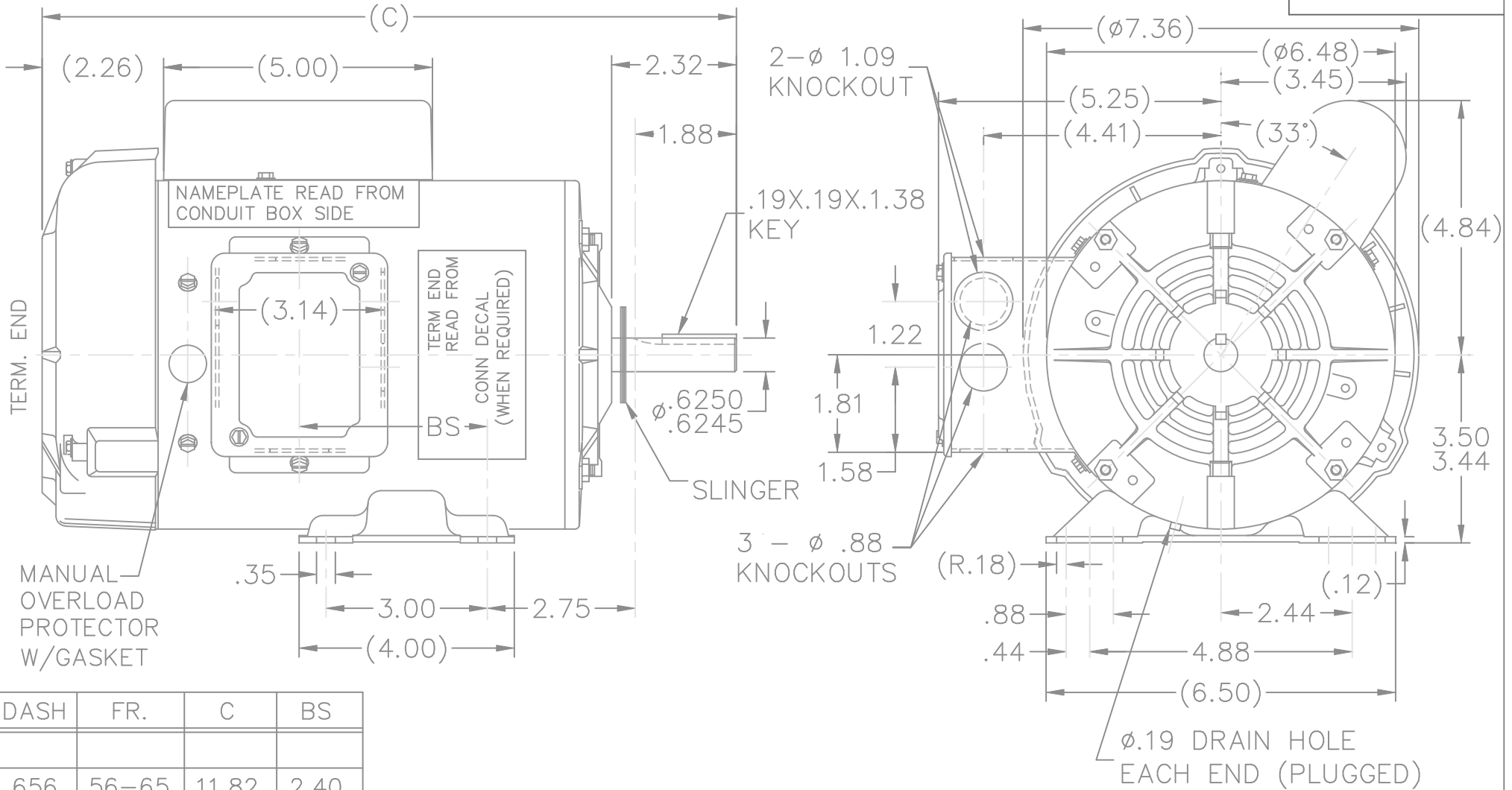
Nameplate Specifications

Output HP	0.75 Hp	Output KW	0.56 kW
Frequency	60 Hz	Voltage	115/208-230 V
Current	11.0/5.4-5.5 A	Speed	1725 rpm
Service Factor	1.15	Phase	1
Efficiency	70.5 %	Duty	Continuous
Insulation Class	B	Design Code	L
KVA Code	L	Frame	56
Enclosure	Totally Enclosed Fan Cooled	Overload Protector	Manual
Ambient Temperature	40 °C	Drive End Bearing Size	6203
Opp Drive End Bearing Size	6203	UL	Recognized
CSA	Y	CE	N
IP Code	43		

Technical Specifications

Electrical Type	Capacitor Start Induction Run	Starting Method	Across The Line
Poles	4	Rotation	Selective Counterclockwise
Mounting	Rigid base	Motor Orientation	Horizontal
Drive End Bearing	Ball	Opp Drive End Bearing	Ball
Frame Material	Rolled Steel	Shaft Type	T
Overall Length	12.32 in	Frame Length	7.06 in
Shaft Diameter	0.625 in	Shaft Extension	2.32 in
Assembly/Box Mounting	F1 Only		
Outline Drawing	A-100137-706	Connection Diagram	A-102005-52

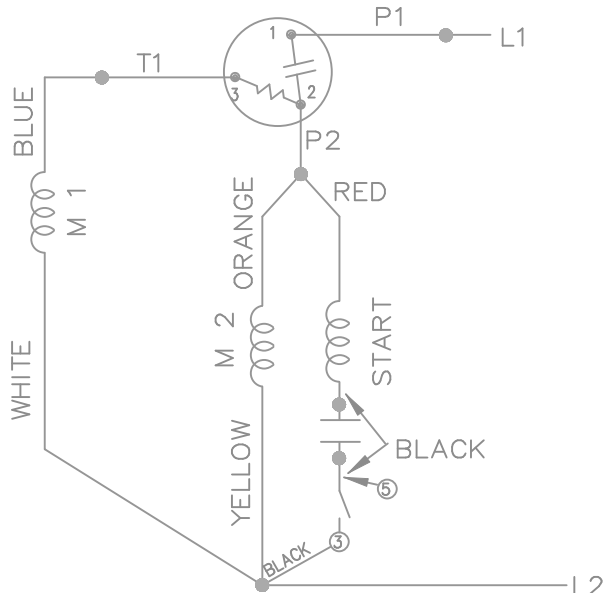
This is an uncontrolled document once printed or downloaded and is subject to change without notice. Date Created: 06/29/2018



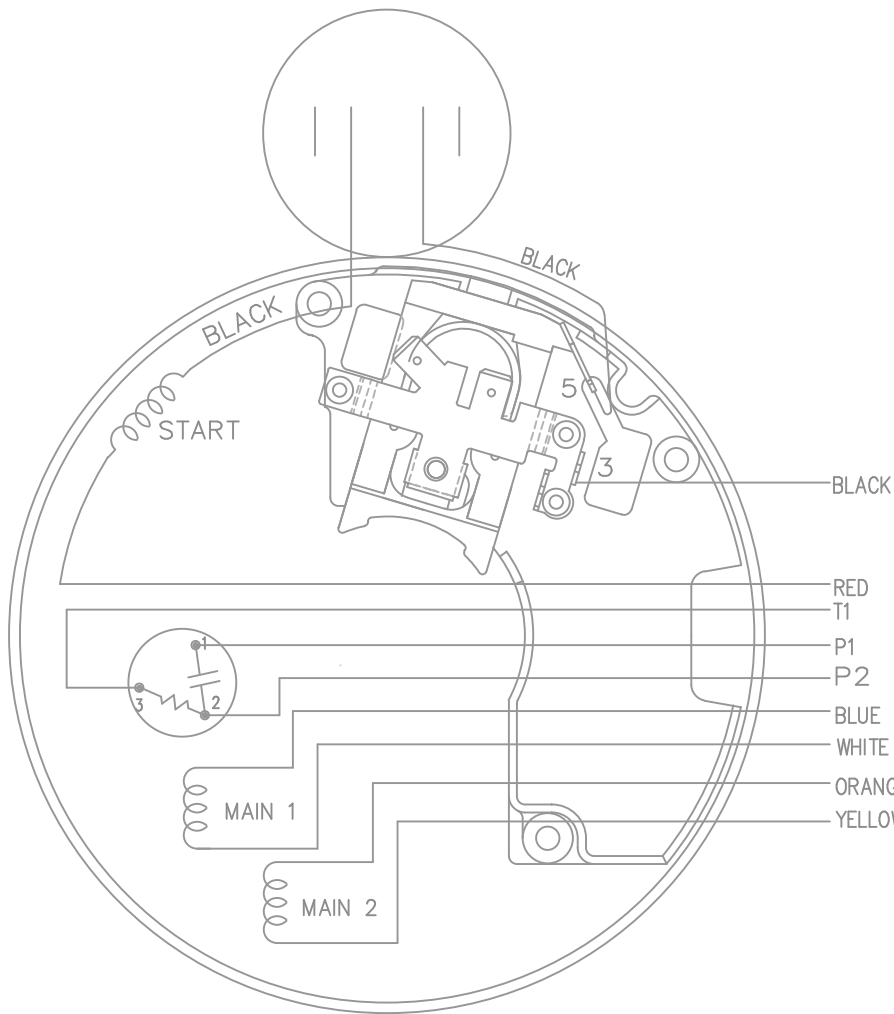
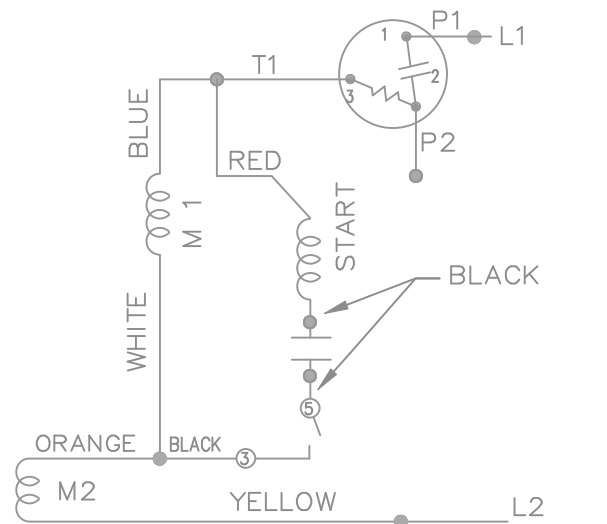
DASH	FR.	C	BS
656	56-65	11.82	2.40
706	56-70	12.32	2.90
756	56-75	12.82	3.40

				TOLERANCES UNLESS SPECIFIED			DRAWN ML 01-11-1992						
				DEC.	INCHES		CHK GK 01-12-1992						
				.X	±.1		APPD FG 01-12-1992						
				.XX	±.03		SCALE 3=8						
4	REDRAWN IN AUTOCAD	TAT 06-13-2005	ML	.XXX	±.005	TITLE OUTLINE	REF						
3	REDRAWN ON CAD, ADDED CONN. DECAL CN 13879	ML 01-12-1992		.XXXX	±.0005	56 FRAME - BB - TEFC - 1ø	FMF						
NO.	REVISION	BY & DATE	CHK	ANG	±'30"	FINISH	PREV						
THIS DRAWING IN DESIGN AND DETAIL IS OUR PROPERTY AND MUST NOT BE USED EXCEPT IN CONNECTION WITH OUR WORK ALL RIGHTS OF DESIGN AND INVENTION ARE RESERVED THIS IS AN ELECTRONICALLY GENERATED DOCUMENT - DO NOT SCALE THIS PRINT						RFP	CAD FILE	100137	SIZE	DRAWING NO.	PAGE	OF	REV.
						DIST	WP	A	100137			4	

LOW VOLTAGE - CCW

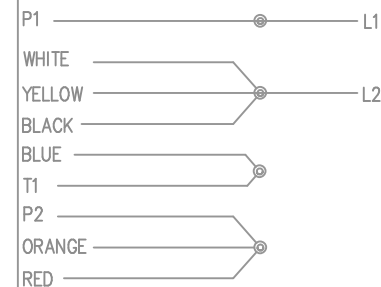


HIGH VOLTAGE - CCW

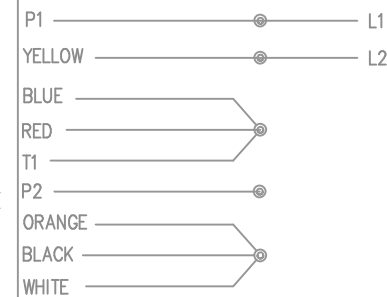


DUAL VOLTAGE
CAPACITOR START
OVERLOAD
SELECT ROTATION

LOW VOLT. CCW ROT.



HIGH VOLT. CCW ROT.



FOR CW ROTATION
EITHER VOLTAGE
INTERCHANGE RED
WITH BLACK

			TOLERANCES UNLESS SPECIFIED		MARATHON ELECTRIC	DRAWN BRH 02-29-1996					
			DEC.	INCHES		CHK	ML	03-06-1996			
			.X	±.1	TITLE CONNECTION DIAGRAM	APPD	GK	03-06-1996	SCALE	5=8	
6	REISSUE	BRH 03-13-1996	.XXX	±.005		REF					
5	REDRAWN ON CADD	BRH 03-06-1996	.XXXX	±.0005		MAT'L.	FMF				
NO.	REVISION	BY & DATE	CHK	ANG		±7'30"	FINISH	PREV			
THIS DRAWING IN DESIGN AND DETAIL IS OUR PROPERTY AND MUST NOT BE USED EXCEPT IN CONNECTION WITH OUR WORK ALL RIGHTS OF DESIGN AND INVENTION ARE RESERVED THIS IS AN ELECTRONICALLY GENERATED DOCUMENT - DO NOT SCALE THIS PRINT			RFP	CAD FILE 102005-52		SIZE	DRAWING NO.	PAGE	OF	REV.	
9/27/2008 7:09:35 AM			DIST	WP		A	102005-52			6	

CERTIFICATION DATA SHEET

Model#: 56C17F5326 H WINDING#: ZC469 NONE 3
 CONN. DIAGRAM: A-102005-52 ASSEMBLY: F1 ONLY
 OUTLINE: A-100137-706

TYPICAL MOTOR PERFORMANCE DATA

HP	KW	SYNC. RPM	F.L. RPM	FRAME	ENCLOSURE	KVA CODE	DESIGN		
3/4	.56	1800	1725	56	TEFC	L	L		
PH	Hz	VOLTS	FL AMPS	START TYPE	DUTY	INSL	S.F	AMB°C	ELEVATION
1	60	115/208-230	11/5.4-5.5	ACROSS THE LINE	CONTINUOUS	B3	1.15	40	3300
FULL LOAD EFF: 70.5	3/4 LOAD EFF: 69.4	1/2 LOAD EFF: 63.2	GTD. EFF		ELEC. TYPE	NO LOAD AMPS			
FULL LOAD PF: 71	3/4 LOAD PF: 56.9	1/2 LOAD PF: 46.1	0		CAP START IND RUN	7.5 / 3.8			
F.L. TORQUE	LOCKED ROTOR AMPS	L.R. TORQUE	B.D. TORQUE		F.L. RISE°C				
36 LB-FT	61 / 30.5	133 LB-FT 0	97.9 LB-FT 0		-				
SOUND PRESSURE @ 3 FT.	SOUND POWER	ROTOR WK^2	MAX. WK^2	SAFE STALL TIME	STARTS /HOUR	APPROX. MOTOR WGT			
0 dBA	10 dBA	0 LB-FT^2	0 LB-FT^2	0 SEC.	0	0 LBS.			

*** SUPPLEMENTAL INFORMATION ***

DE BRACKET TYPE	ODE BRACKET TYPE	MOUNT TYPE	ORIENTATION	SEVERE DUTY	HAZARDOUS LOCATION	DRIP COVER	SCREENS	PAINT
STANDARD	BRAKE	RIGID	HORIZONTAL	FALSE	NONE	FALSE	NONE	GRAY (POWDER)

BEARINGS		GREASE	SHAFT TYPE	SPECIAL DE	SPECIAL ODE	SHAFT MATERIAL	FRAME MATERIAL
DE	OPE						
BALL	BALL						
6203	6203	POLYREX EM	T	NONE	NONE	1144 STRESSPROOF (C-223)	ROLLED STEEL

THERMO-PROTECTORS				THERMISTORS	CONTROL	SPACE /n HEATERS
THERMOSTATS	PROTECTORS	WDG RTDs	BRG RTDs			
NONE	MANUAL	NONE	NONE	NONE	FALSE	NONE VOLTS

If Inverter equals NONE, contact factory for further information

INVERTER TORQUE: NONE
INV. HP SPEED RANGE: NONE
ENCODER: NONE
NONE NONE
NONE NONE PPR
BRAKE: PROVISIONS FOR KIT NONE
NONE P/N NONE
NONE NONE
NONE FT-LB NONE V NONE Hz

*
N
O
T
E
S
*

DATE: 06/27/2017 07:05:50 AM
 FORM 3531 REV.3 02/07/99
 ** Subject to change without notice.