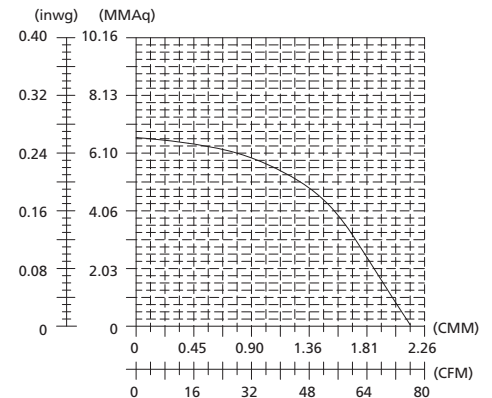


Dayton® PSC and Shaded Pole Blowers

Description

Dayton PSC and Shaded Pole blowers provide economical air delivery for general heating, cooling, ventilating, or component cooling. Typical applications include cooling greenhouses, blowers for wood and corn stoves, ventilating small buildings, cooling electrical enclosures and removing heat from machinery. The blowers are exact replacements for many OEM blowers with the same physical footprint. Forward curve wheels driven by Dayton motors are rated for continuous duty with all-position mount. These units incorporate balanced ball or sleeve-bearing motors with cast aluminum end shields. This provides greater heat dissipation and protection, reducing down time due to component failure and accidental damage. Direct drive blower wheels are dynamically balanced to reduce noise and vibration and to maintain CFM at higher static pressures.

60HZ



Specifications

Reference Number	CFM @0"	0.1"	0.15"	0.2"	0.3"	0.4"	0.5"	0.6"	0.7"	0.8"	VOLTS	AMPS	HZ
1TDU3*	77	64	56	40	-	-	-	-	-	-	115	0.50	60

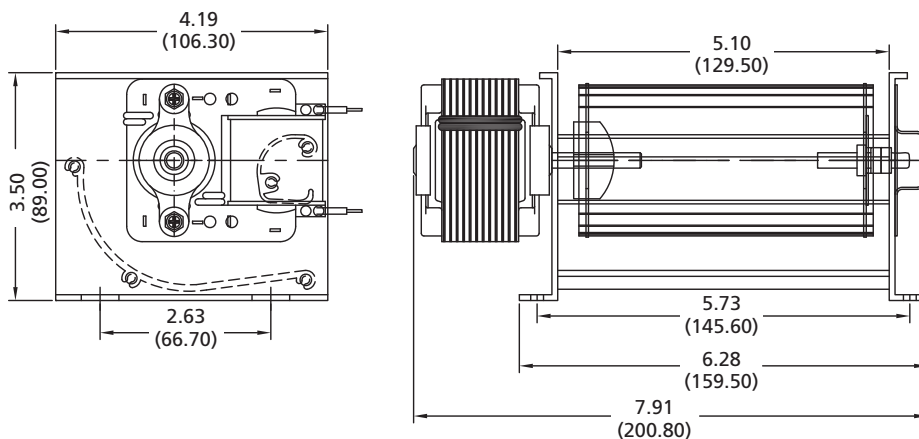
* Replaces 4C743

NOTE: Does not Include Conduit Box. Lead Length is 13".

NOTE: Not suitable for use with speed-controllable devices.

Dimensions

in. (mm)



Features

- Shaded Pole Motor
- Aluminum housing
- All position Mounting
- Maximum Ambient Temperature 104°F

Additional Benefits

- Permanently Lubricated Sleeve Bearings
- Auto-Thermal Protection

