

GENUINE B&G® PARTS

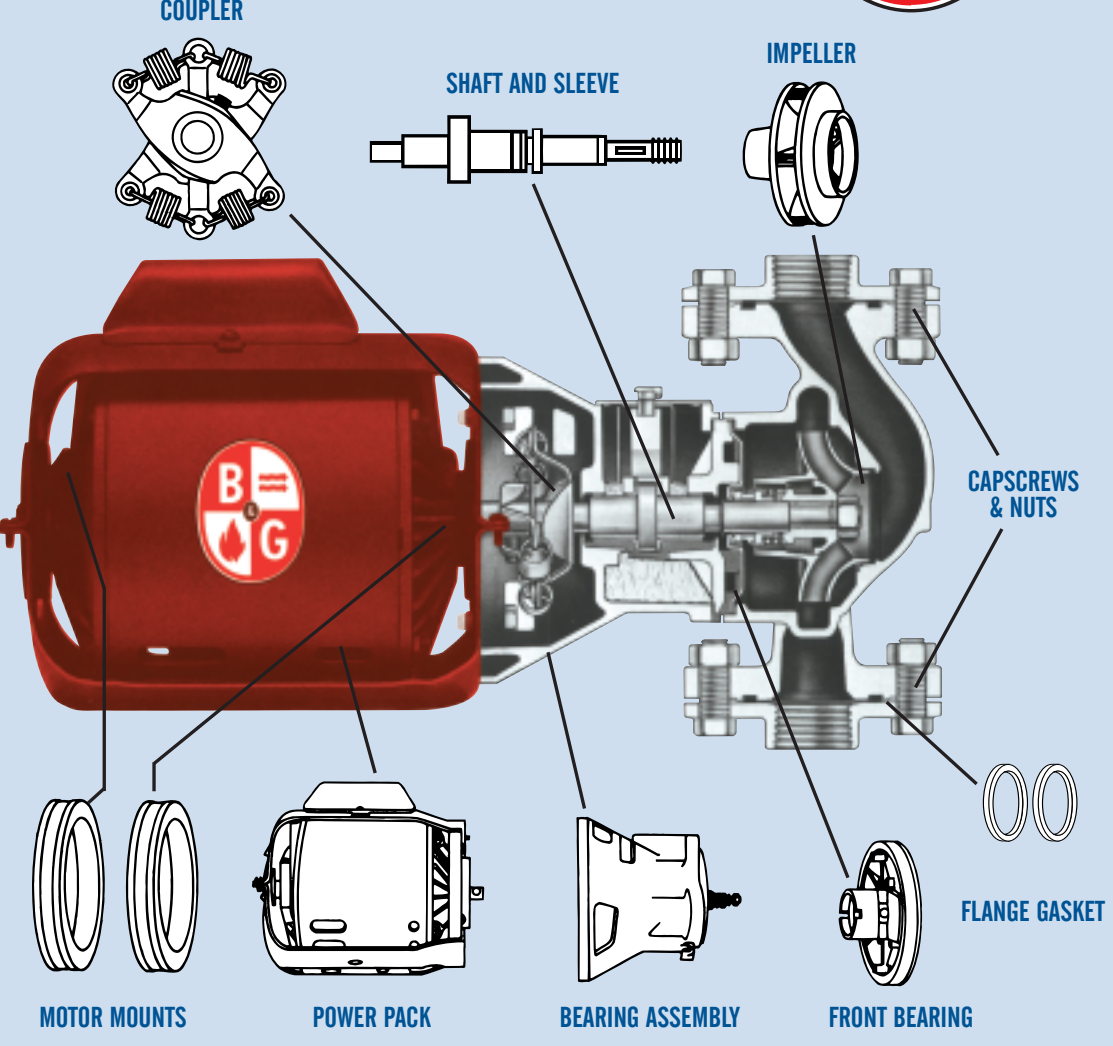
REPAIR YOUR B&G PUMP THE RIGHT WAY,
THE FIRST TIME, EVERY TIME!



MOTORS, MOTOR MOUNTS & COUPLERS

PUMP MODELS	DATE CODES	HP	POWER PACKS				RPM	NO.	MOUNTS	MOTOR COUPLERS	COUPLER & MOTOR MOUNT SETS
			VOLTAGE	PHASE	∅	F.L. AMPS					
Series 100	ALL	1/2	115	1	1.75	1725	11034	118223	118705+	N/A	
1", 1 1/4", 1 1/2"	1M-FT 1M-FT BT-JT	1/2	115	1	1.9	1725	11036 (6")* 11031 (5") 11061 (5")	118228 118223 118705+	118705+ N/A N/A	N/A N/A N/A	
2"	1M-FT 1M-FT GT-CURRENT	1/2	115	1	1.9	1725	11036 (6")* 11031 (5") 11061 (5")	118228 118223 118705+	118705+ N/A N/A	N/A N/A N/A	
HV	1M-HR 1M-HR KR-CURRENT	1/2	115	1	1.9	1725	11036 (6")* 11031 (5") 11061 (5")	118228 118223 118705+	118705+ N/A N/A	N/A N/A N/A	
PR	ALL	1/2	115	1	1.9	1725	11036 (6")* 11031 (5")	118228 118223	118705+ 118705+	N/A N/A	
2 1/2", LD-3	ALL	1/4	115	1	3.0	1725	11040	118228	118723	118724	
HD-3	ALL	1/2	115/230	1	4.2/2.1	1725	11042	118228	118723	118724	
PD-35	ALL	1/2	115/230 208-230/460	3	5.2/2.6 1.8-1.7/.85	1725 1750	11044 11046	118228	118473	118474	
PD-37	ALL	3/4	115/230 208-230/460	3	7.0/3.5 2.45-2.4/1.2	1725 1750	11047 11049	118228	118473	118474	
PD-38, PD-39	ALL	1	115/230 208-230/460	3	** 3.8-4.0/2.0	1725 1730	169232 169233††	** 118848	186004†	N/A	
PD-40	ALL	1 1/2	115/230 208-230/460	3	** 5.2-5.4/2.7	1725 1730	169236 169237	** 118848	186003†	N/A	
Series 60	ALL	1/4	115	1	3.0	1725	169035	118228	118473	118474	
60-10S (1AA)	ALL	1/4	115	1	3.0	1725	169035	118228	118473	118474	
60-11 (1 1/2 AA)	ALL	1/4	208-230/460	3	98-1.0/.5	1750	169037	118228	118473	118474	
60 BTO (AA)	ALL	1/2	115/230 208-230/460	3	4.2/2.1 1.5-1.4/.7	1725 1750	169038 169039	118228	118473	118474	
60-13 (1 1/2 AA)	ALL	1/2	115/230 208-230/460	3	5.2/2.6 1.8-1.7/.85	1725 1730	11044 11046	118228	118473	118474	
60-14 (2AA)	ALL	3/4	115/230 208-230/460	3	7.0/3.5 2.45-2.4/1.2	1725 1750	11047 11049	118228	118473	118474	
60-15 (1 1/2 A)	ALL	1/2	115/230 208-230/460	3	5.2/2.6 1.8-1.7/.85	1725 1730	11044 11046	118228	186410	N/A	
60-16 (1 1/2 A)	ALL	3/4	115/230 208-230/460	3	7.0/3.5 2.45-2.4/1.2	1725 1750	11047 11049	118228	186410	N/A	
60-17 (1 1/2 A)	ALL	1	115/230 208-230/460	3	** 3.8-4.0/2.0	1725 1730	169232 169233††	** 118848	186004†	N/A	
60-19 (2A)	ALL	1	115/230 208-230/460	3	** 3.8-4.0/2.0	1725 1730	169232 169233††	** 118848	186004†	N/A	
60-20 (2A)	ALL	1 1/2	115/230 208-230/460	3	** 5.2-5.4/2.7	1725 1730	169236 169237	** 118848	186003†	N/A	
60-21 (2A)	ALL	2	115/230 208-230/460	3	** 6.7-7.0/3.5	1725 1730	169232 169238	** 118848	186003†	N/A	
60-22 (2 1/2 F)	ALL	3	115/230 208-230/460	3	**	1725 1750	169221	**	P77279†	N/A	
1522-1 (1/2 AAB)	ALL	1/4	115 208-230/460	3	3.0 98-1.0/.5	1725 1750	169040 169042	118228	118473	118474	
1522-2 (1AAB)	ALL	1/2	115/230 208-230/460	3	4.2/2.1 1.5-1.4/.7	1725 1750	169043 169045	118228	118473	118474	
1522-3 (1 1/2 AAB)	ALL	1/2	115/230 208-230/460	3	5.2/2.6 1.8-1.7/.85	1725 1730	169047 169049	118228	118473	118474	
1522-4 (1 1/2 AAB)	ALL	3/4	115/230 208-230/460	3	7.0/3.5 2.45-2.4/1.2	1725 1750	169051 169053	118228	118473	118474	

*DISCONTINUED-REPLACED BY 11031 **CONSULT FACTORY †THIS COUPLER IS CAST IRON. FOR STAMPED STEEL USE 189110. ††COUPLER SHOWN IS SPRING TYPE. THIS COUPLER IS SLEEVE TYPE. †††USE COUPLER 185330 WHEN REPLACING SLEEVE BEARING MOTOR (169090) WITH MAINT.-FREE MOTOR (169232)
N/A - NOT AVAILABLE BTO - BUILT TO ORDER MODELS ONLY (6")=MOTOR DIAMETER. (5")=MOTOR DIAMETER.



THREE-PIECE CIRCULATORS SHAFT AND SLEEVE

PUMP MODELS	PART NUMBER (IB, BI, NFI, AB & BNFI)	PART NUMBER (AI)
Series 100 (#75, #100, #125, #150) 1", 1 1/4", 1 1/2", 2", HV, PR, 2 1/2", LD-3, HD-3, PD-35, PD-37, Series 60 "AA" & Series 1522	189035	P81960
PD-38, PD-39, PD-40, Series 60 "A" & Series 60 "2 1/2 F"	118469	P08725

THREE-PIECE CIRCULATORS SEAL KIT

PUMP MODELS	PART NUMBER (IB, BI, NFI, AB & BNFI)	PART NUMBER (AI)
Series 100 (#75, #100, #125, #150) 1", 1 1/4", 1 1/2", 2", HV, PR, 2 1/2", LD-3, HD-3, PD-35, PD-37, Series 60 "AA" & Series 1522	118681 (Formerly Kit #7)	186681 (Formerly Kit #6)
PD-38, PD-39, PD-40, Series 60 "A" & Series 60 "2 1/2 F"	186499 (Formerly Kit #2)	186433 (Formerly Kit #5)

CLOSE COUPLED CIRCULATORS

PUMP MODELS	DATE CODES	IMPELLERS	SEAL KITS	FASTENER PACKS	FLANGE GASKETS
Series PL PL-30 & PL-30B PL-36 & PL-36B PL-45 & PL-45B PL-50 & PL-50B PL-55 & PL-55B PL-75 & PL-75B PL-130 & PL-130B	ALL ALL ALL ALL ALL ALL ALL	189170 189170 189171 189169 189172 189169 189173	189144 189577 189144 189174	P64910 or P64901* P64910 or P64901* P64930 or P64902* P64930 or P64902*	118368 118368 118373 118373
*EXCLUDES FLANGE GASKETS. **INCLUDES FASTENER PACKS AND FLANGE GASKETS.					

ADAPTER KIT* FOR XL-11 MAINTENANCE-FREE RETROFIT

	SINGLE PHASE	THREE PHASE
1 HP	185350	185351
1 1/2	185352	185353
2		185354

*REQUIRED WHEN REPLACING AN "A" LARGE OIL LUBRICATED BEARING ASSEMBLY WITH A XL-II MAINTENANCE-FREE BEARING ASSEMBLY.

Bell & Gossett®
ITT Industries
Engineered for life

8200 N. Austin Avenue, Morton Grove, Illinois 60053
Phone: (847) 966-3700 Fax: (847) 966-9052
www.bellgossett.com

DID YOU KNOW? A B&G PUMP REPAIRED WITH A KNOCKOFF OR REMANUFACTURED PART:

- voids the pump's UL/ULC or CSA third-party safety certification. This may put the user at risk.
- may cause the pump to underperform — limiting its life, decreasing heating system performance, while increasing energy use.
- voids pump warranty.
- may generate "no heat callbacks."
- will cost you more in the long run!

BEARING ASSEMBLIES, BEARINGS & IMPELLERS

PUMP MODELS	DATE CODES	BEARING ASSEMBLIES	FRONT BEARINGS	BODY GASKETS	IMPELLERS	FASTENER PACKS		FLANGE GASKET SETS	
						w/ FLANGE GASKETS	w/o FLANGE GASKETS		
Series 100 Iron Body w/NFI Impeller Iron Body w/Br. Impeller Bronze Body w/NFI Impeller All Bronze	ALL	118844 OR 189134* 118844 189034 OR 189161* 189034	189070 189070 189071 189071	P04080	189132 118431 189132 118431	P64910	P64902	118368	
1" Iron Body 1" Iron Body w/Br. Impeller	AM-FT	189162	P77308	P04890	118665 118434	P64230	N/A	118351	
1 1/4" Iron Body 1 1/4" Iron Body w/Br. Impeller	AM-FT	189162	P77308	P04890	118666 118435	P64910	P64901	118368	
1 1/2" Iron Body 1 1/2" Iron Body w/Br. Impeller 1 1/2" All Iron 1 1/2" All Bronze	AM-FT	189162 189162 N/A 189163	P77308 P77308 N/A P77309	P04890	118666 118435 118666 118436	P64930	P64902	118373	
1 1/2" Iron Body 1 1/2" Iron Body w/Br. Impeller	BT-JT	189165	P77308	P04890	118666 118435	P64940	P64901	118373	
1 1/2" All Bronze	DT-JT	N/A	P77308	P04890	118436	P64930	N/A	118373	
2" Iron Body 2" Iron Body w/Br. Impeller 2" All Iron 2" All Bronze	AM-FT	189163 189163 N/A 189163	P77309 P77309 N/A P77309	P04890	118668 118436 118668 118436	F91600	N/A	118065	
2" Iron Body w/NFI Impeller 2" Iron Body w/Br. Impeller 2" Bronze Body w/NFI Impeller 2" All Bronze	GT-CURRENT	189165 OR 189166* 189165 189165 OR 189166* 189165	P77308	P04890	189128 P07792 189128 P07792	P65031 P65031 P65030 P65030	N/A	118378	
HV Iron Body HV Iron Body w/Br. Impeller HV All Iron HV All Bronze	AM-HR	189163 189163 N/A 189163	P77309 P77309 N/A P77309	P04890	118668 118436 118668 118436	P64940 P64940 P64901 P64902	118373		
HV Iron Body HV Iron Body w/Br. Impeller HV All Bronze	JT-MT	N/A N/A	P77309 P77309	P04890	118668 118436	P64940 P64901	118373		
HV All Bronze	KR-DT	N/A	P77309	P04890	118436	P64930 P64902	118373		
HV Iron Body w/NFI Impeller HV Iron Body w/Br. Impeller HV Bronze Body w/NFI Impeller HV All Bronze	AT-CURRENT	189165 OR 189166* 189165 189165 OR 189166* 189165	P77308	P04890	189128 P07792 189128 P07792	P64940 P64940 P64901 P64902	118373		
PR Iron Body PR Iron Body w/Br. Impeller PR All Iron PR All Bronze	ALL	189105 189105 P66790 189105	P77087 P77087 N/A P77087	P05800	118830 118612 118830 118612	P64900	N/A	118368	
2 1/2" Iron Body 2 1/2" Iron Body w/Br. Impeller 2 1/2" All Iron 2 1/2" All Bronze	IM-CURRENT	189105 189105 P66790 189105	P77087 P77087 N/A P77087	P05800	118676 118440 118676 118440	N/A	P65130	118129	
LD-3 Iron Body LD-3 Iron Body w/Br. Impeller LD-3 All Iron LD-3 All Bronze	ALL	189105 189105 P66790 189105	P77087 P77087 N/A P77087	P05800	118676 118440 118676 118440	N/A	P65130	118129	
HD-3 Iron Body HD-3 Iron Body w/Br. Impeller HD-3 All Iron HD-3 All Bronze	ALL	189105 189105 P66790 189105	P77087 P77087 N/A P77087	P05800	118675 118439 118675 118439	N/A	P65130	118129	
PD-35 Iron Body PD-35 Iron Body w/Br. Impeller PD-35 All Iron PD-35 All Bronze	ALL	186863 186863 186865 186863	P77216 P77216 P77215 P77216	P57410	118630 118627 118630 118627	N/A	P65130	118129	
PD-37 Iron Body PD-37 Iron Body w/Br. Impeller PD-37 All Iron PD-37 All Bronze	ALL	186863 186863 186865 186863	P77216 P77216 P77215 P77216	P57410	118629 118626 118629 118626	N/A	P65130	118129	
PD-38 Iron Body PD-38 Iron Body w/Br. Impeller PD-38 All Iron PD-38 All Bronze	ALL	185333 185333 185261 185334		185241	P08709 P08690 P08709 P08690	P09540	N/A	118129	
PD-39 Iron Body PD-39 Iron Body w/Br. Impeller PD-39 All Iron PD-39 All Bronze	ALL	185333 185333 185261 185334		185241	118452 118453 118452 118453	P09540	N/A	118129	
PD-40 Iron Body PD-40 Iron Body w/Br. Impeller PD-40 All Iron PD-40 All Bronze	ALL	185333 185333 185261 185334		185241	118452 118453 118452 118453	P09540	N/A	118129	
Series 60 "AA" Bronze Fitted All Iron All Bronze	ALL	186863 186865 186863	P77216 P77215 P77216	P57410	** ** **	(a)	N/A	(b)	
Series 60 "A" Bronze Fitted All Iron All Bronze	ALL	185260 185261 185262		185241	** ** **	(a)	N/A	(b)	
Series 60 "2 1/2 F" Bronze Fitted All Bronze	ALL	185264 185265		185241	** **	** **	**		
Series 1522 - All Models Bronze Fitted All Iron All Bronze Stainless Steel w/Viton Seal Bronze Fitted w/EPT Seal	ALL	186863 186865 186863 P10324 P10316	P77216 P77215 P77216 P77217 P77216	P57410	** ** ** ** **	N/A	N/A		

*INCLUDES NFI IMPELLER **CONSULT FACTORY N/A - NOT AVAILABLE
(a) ALL 1AA OR 1 1/2 AA MODELS USE P64910; 1 1/2 AA & 1 1/2 A BF OR AI MODELS USE P64940; 1 1/2 AA & 1 1/2 A AB MODELS USE P64930; ALL 2AA OR 2A MODELS USE P65030.
(b) ALL 1AA OR 1 1/2 AA MODELS USE 118368; ALL 1 1/2 AA OR 1 1/2 A MODELS USE 118373; ALL 2AA OR 2A MODELS USE 118378.

DATE OF MANUFACTURE CODE

The date code is made of two or three characters, depending on the year.

1946-1960		1961-1982		1983-2006	
The number character is the month.		Two characters		Three characters.	
The last character is a letter and denotes the year.		First letter is month. Second letter is year.		The letter denotes month. The numbers denote year.	
1 January	G 1946	A January	A 1961	A January	38 1983
2 February	H 1947	B February	B 1962	B February	48 1984
3 March	J 1948	C March	C 1963	C March	58 1985
4 April	K 1949	D April	D 1964	D April	68 1986
5 May	L 1950	E May	E 1965	E May	78 1987
6 June	M 1951	F June	F 1966	F June	88