

Little GIANT[®]

Pump Company

P-AAA SERIES



Features

- Corrosion resistant nylon body
- Oil-filled motor
- 4.6' maximum lift
- 30 watts
- 1/4" MNPT discharge
- Impedance protected
- For submersible use only

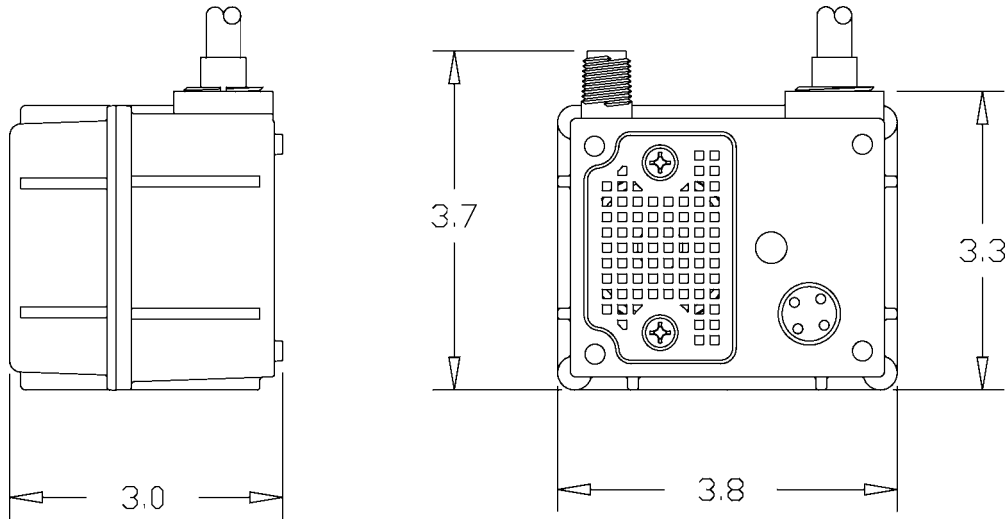
Construction

- Motor — 1/160 HP Oil Filled
- Intermittent Liquid Temp up to — 120° F
- Intake — N/A
- Discharge — 1/4" MNPT
- Housing — Glass-filled nylon
- Cover — Glass-filled nylon
- Volute — Glass-filled nylon
- Impeller — Glass-filled nylon
- Shaft Seal — Nitrile
- Screen — Glass-filled nylon

Small submersible oil filled pump with corrosion resistant nylon housing. For commercial, industrial and home applications including statuary fountains, water displays, air conditioners, machine tool coolants, and many other applications where liquid must be transferred or recirculated. This compact 120 GPH pump features a 1/4" MNPT discharge, 4.6' shut-off head capability, and screened inlet.

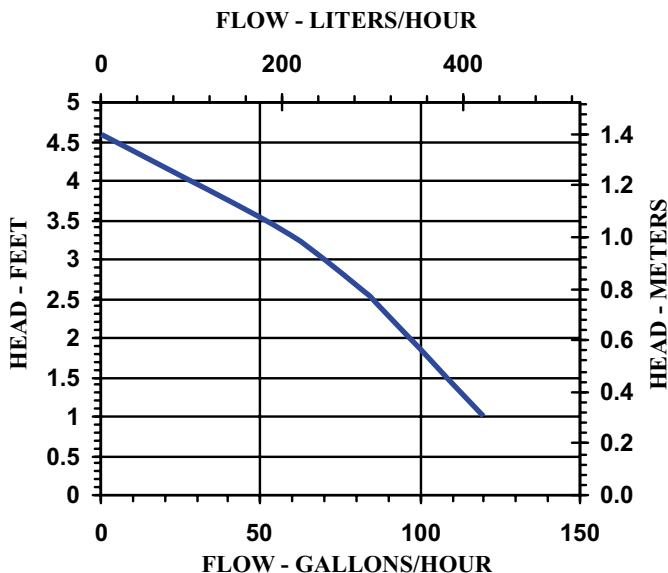
Little Giant Pump Co.

P-AAA SERIES



Specifications

Model No.	Item No.	Discharge Size	Listing(s)	HP	Volts	Hertz	Amps	Watts	Performance (GPH @ Head)		Shut Off		Pwr. Cord (ft)	Weight (Lbs.)
									1'	3'	Feet	PSI		
P-AAA	523003	1/4" MNPT	UL	1/160	115	60	0.5	30	120	70	4.6	2.0	6	3.00
P-AAA	523500	1/4" MNPT		1/160	127	60	0.5	30	120	70	4.6	2.0	6	3.00
P-AAA	523086	1/4" MNPT	UL/CSA	1/160	115	60	0.5	30	120	70	4.6	2.0	10	3.17
P-AAA	523112	1/4" MNPT		1/160	230	50/60	.4/3	30	120	70	4.6	2.0	12	3.17



Replacement Parts

Screen	123145
Plate	123150
Impeller	123030
O-ring	924020
Elbow	943076

Little Giant Pump Co.
 PO Box 12010
 Okla. City, OK 73157
 Phone: 405.947.2511
 Fax: 405.228.1550
www.LittleGiantPump.com