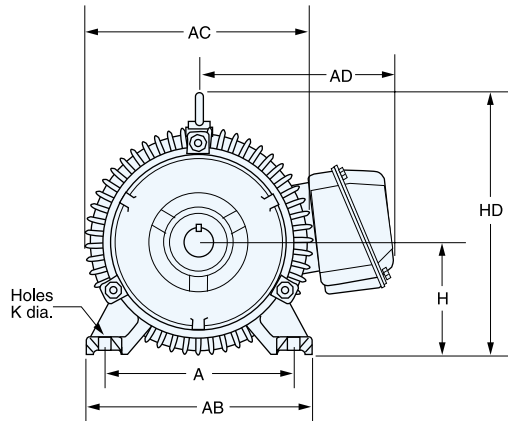
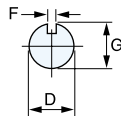
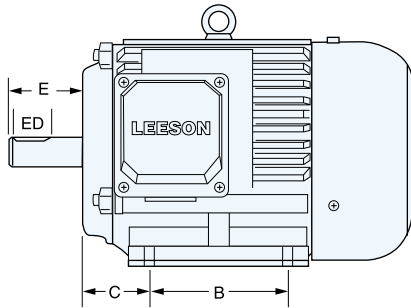


**B3 FOOT-MOUNTED**

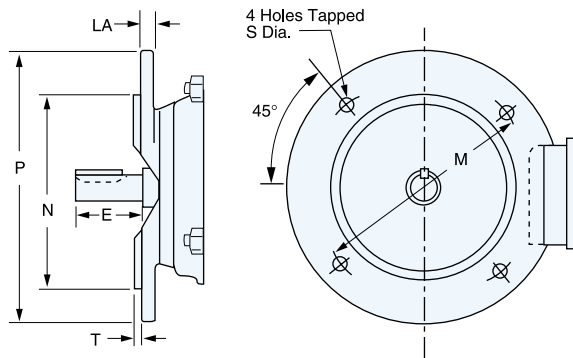


**METRIC (IEC) FRAME DIMENSIONS (Millimeters)**

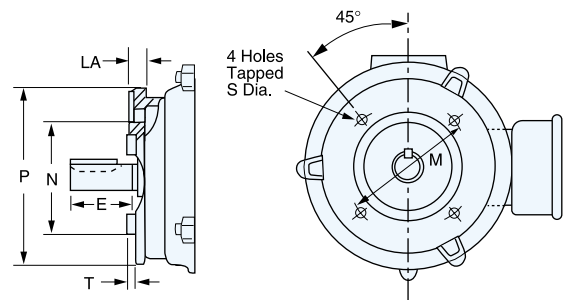
Frame	Mounting						Shaft						General			B5 Flange						B14 Face					
	A	B	C	H	AB	K	D	E	F	G	ED	DH	AC	AD	HD	M	N	P	S	T	LA	M	N	P	S	T	LA
D63	100	80	40	63	119	7	11	23	4	8.5	10	M4 x 10	126	-	169	115	95	140	10	3.0	7	75	60	90	M5	2.5	7
D71	112	90	45	71	131	7	14	30	5	11.0	20	M5 x 12.5	140	-	186	130	110	160	10	3.5	7	85	70	105	M6	2.5	9
D80	125	100	50	80	157	10	19	40	6	15.5	25	M6 x 16	158	132	212	165	130	200	12	3.5	12	100	80	120	M6	3.0	9
D90S	140	100	56	90	174	10	24	50	8	20.0	32	M8 x 19	178	140	230	165	130	200	12	3.5	12	115	95	140	M8	3.0	9
D90L	140	125	56	90	174	10	24	50	8	20.0	32	M8 x 19	178	140	230	165	130	200	12	3.5	12	115	95	140	M8	3.0	9
DF100L	160	140	63	100	205	12	28	60	8	24.0	40	M10 x 22	215	178	245	215	180	250	15	4.0	11	130	110	160	M8	3.5	14
DF112M	190	140	70	112	245	12	28	60	8	24.0	40	M10 x 22	220	190	265	215	180	250	15	4.0	12	130	110	160	M8	3.5	11
DF132S	216	140	89	132	280	12	38	80	10	33.0	56	M12 x 28	275	210	320	265	230	300	15	4.0	12	165	130	200	M10	3.5	14
DF132M	216	178	89	132	280	12	38	80	10	33.0	56	M12 x 28	275	210	320	265	230	300	15	4.0	12	165	130	200	M10	3.5	14
DF160M	254	210	108	160	325	15	42	110	12	37.0	80	M16 x 36	325	254	385	300	250	350	19	5.0	13	215	180	250	M12	4.0	13
DF160L	254	254	108	160	325	15	42	110	12	37.0	80	M16 x 36	325	254	385	300	250	350	19	5.0	13	215	180	250	M12	4.0	13
DF180M	279	241	121	180	335	15	48	110	14	42.5	80	M16 x 36	360	310	430	300	250	350	19	5.0	15	-	-	-	-	-	-
DF180L	279	279	121	180	335	15	48	110	14	42.5	80	M16 x 36	360	310	430	300	250	350	19	5.0	15	-	-	-	-	-	-
DF200L	318	305	133	200	395	19	55	110	16	49.0	100	M20 x 42	400	340	475	-	-	-	-	-	-	-	-	-	-	-	-
DF225S	356	286	149	225	435	19	55*/	110*/	16*/	49*/	100*/	M20 x 42	445	414	530	-	-	-	-	-	-	-	-	-	-	-	-
DF225M	356	311	149	225	435	19	55*/	110*/	16*/	49*/	100*/	M20 x 42	445	414	530	-	-	-	-	-	-	-	-	-	-	-	-
DF250M	406	349	168	250	490	24	60*/	140*/	18*/	53*/	125*/	M20 x 42	500	440	575	-	-	-	-	-	-	-	-	-	-	-	-

\* 2 Pole Dimensions

The overall length dimension for each catalog item is listed on pages 68-70 of this catalog. Frames DF100L through DF132M, conduit box is located in the center of the frame.

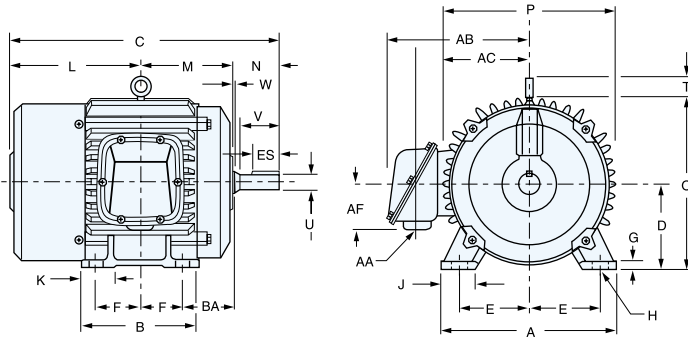


**B5 FLANGE**

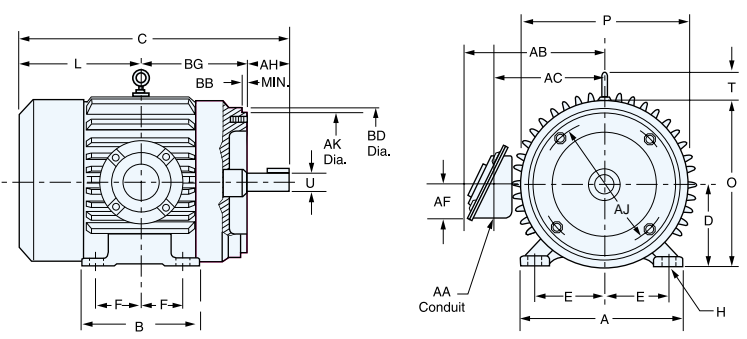


**B14 FACE**

RIGID MOUNT 158 SERIES



C FACE 158 SERIES



NEMA EXPLOSION-PROOF • 158 SERIES • RIGID MOUNT DIMENSIONS (Inches)

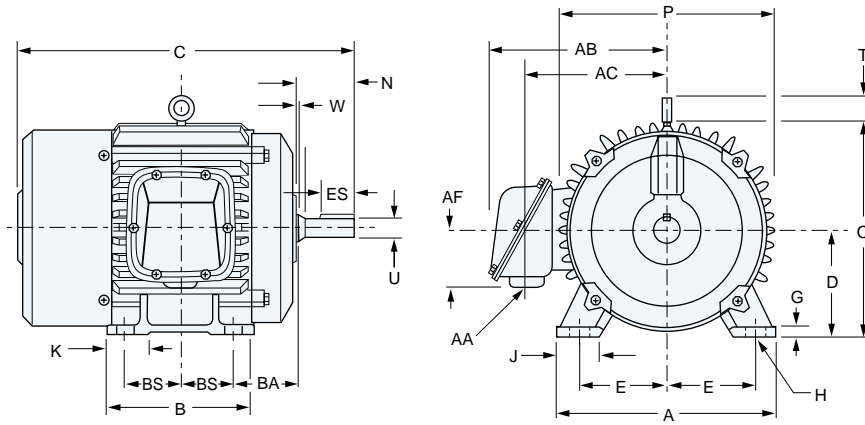
Frame Size	A	B	D	E	F	G	H	J	K	L	M	N	O	P	T	U	V	N-W	ES	AA	AB	AC	AF	BA	KEY																
182T	9	6	4 1/2	3 3/4	2 1/4	7/16	7/16	1 3/4	1 7/8	6 13/16	4 15/16	2 13/16	9 1/8	9 1/4	—	1.125	2 1/2	2 3/4	1 7/8	3/4	7 13/16	6 9/16	3 1/8	2 3/4	1/4																
184T		7			2 3/4					5 7/16	2 5/16	7 5/16														5 7/16															
213T	10 1/2	7	5 1/4	4 1/4	2 3/4	7/16	7/16	2	1 7/8	8 1/8	6 3/16	3 7/16	10 1/2	10 1/2	2 5/16	1.375	3 1/8	3 1/4	2 7/16	1	9 1/4	7 5/8	3 1/2	3 1/2	5/16																
215T		8 1/2			3 1/2					8 7/8	6 15/16															8 7/8	6 15/16														
254T	12 1/2	10 1/4	6 1/4	5	4 1/8	5/8	9/16	2 1/2	2 5/8	10 3/8	8 5/16	4 1/16	12 1/2	12 1/2	2 5/16	1.625	3 3/4	3 7/8	2 15/16	1 1/4	10 1/4	8 7/8	3 7/8	4 1/4	3/8																
256T		12			5					11 1/4	9 3/16															11 1/4	9 3/16														
284T	13 3/4	11 1/2	7	5 1/2	4 3/4	5/8	9/16	2 1/2	2 3/4	11 13/16	9 7/16	4 11/16	14	14	2 7/16	—	1.875	4 3/8	4 1/2	3 1/4	1 1/2	12 1/8	10	4 7/16	4 3/4	1/2															
284TS					7					5 1/2	5/8						9/16	2 1/2	2 3/4	11 13/16						9 7/16	3 5/16	4 11/16	1.625	3	3 3/8	1 15/16	3 3/8								
286T		13			5 1/2					5 1/2	5/8	9/16					2 1/2	2 3/4	11 13/16	9 7/16						3 5/16	4 11/16	1.875	4 3/8	4 1/2	3 1/4	1 15/16	3 3/8	1 1/2	12 1/8	10	4 7/16	4 3/4	3/8		
286TS																																								5 1/2	12 1/8
324T	15 1/2	13 1/4	8	6 1/4	5 1/4	5/8	1 1/16	2 3/4	3 1/8	13 3/16	10 7/16	5 9/16	16	16	2 5/8	—	2.125	5	5 1/8	4	2	14 3/8	11 3/4	5 3/8	5 1/4	1/2															
324TS					5 1/4					10 7/16	3 13/16						10 7/16	3 13/16	1.875	3 1/2							3 5/8	2													
326T		14 3/4			6					5 1/4	5/8	1 1/16					2 3/4	3 1/8	13 15/16	11 3/16							3 13/16	5 9/16	1.875	3 1/2	3 5/8	2 1/16	2.125	5	5 1/8	3	14 3/8	11 3/4	5 3/8	5 1/4	1/2
326TS																																									
364T	17	15	9	7	5 5/8	7/8	1 1/16	2 3/4	3 7/8	16 1/16	11 3/8	6	18 1/2	19	12 7/8	—	2.375	5 5/8	5 3/4	4 1/4	3	16 1/16	13 5/16	6 7/8	5 7/8	5/8															
364TS					5 5/8					11 3/8	3 7/8						16 1/16	11 3/8	3 7/8	1.875						3 1/2	3 5/8	2 1/16	1 1/2												
365T		15			7					5 5/8	7/8	1 1/16					2 3/4	3 7/8	16 1/16	11 3/8						3 7/8	6	1.875	3 1/2	3 5/8	2 1/16	2.375	5 5/8	5 3/4	4 1/4	3	16 1/16	13 5/16	6 7/8	5 7/8	1/2
365TS																																									6 1/8
405T	19	16	10	8	6 7/8	1 1/8	1 3/16	3 1/4	3 1/4	17 9/16	13 1/8	7 5/8	21 5/16	22 5/16	2 15/16	—	2.875	7	7 1/8	5 11/16	4	16 3/8	13 1/4	7 1/2	6 5/8	3/4															
405TS					6 7/8					13 1/8	7 5/8						4 5/8	2.125	4	4 1/8						2 7/8	1 1/2														

NEMA EXPLOSION-PROOF • 158 SERIES • C FACE DIMENSIONS (Inches)

Frame Size	A	B	D	E	F	H	L	O	P	T	U	V	AH	AJ		BB	AK	BD	BG	AA	AB	AC	AF	KEYWAY
														DIA.	BARR.									
182T	9	6	4 1/2	3 3/4	2 1/4	7/16	6 5/8	9 1/8	9 1/4	—	1.1250	2 1/2	2 5/8	7 1/4	4	9/32	8.500	8 3/4	5 7/8	3/4	9 9/16	7 1/8	2 1/2	1/4
184T		7			2 3/4		7 1/8												6 3/8					

The condensed dimensions shown on these pages are for general reference only and are not for construction. The overall length or "C" dimension for each catalog item is included in this catalog. [Certified drawings of all ratings are available for construction purposes.](#)

**RIGID MOUNT G-SERIES**

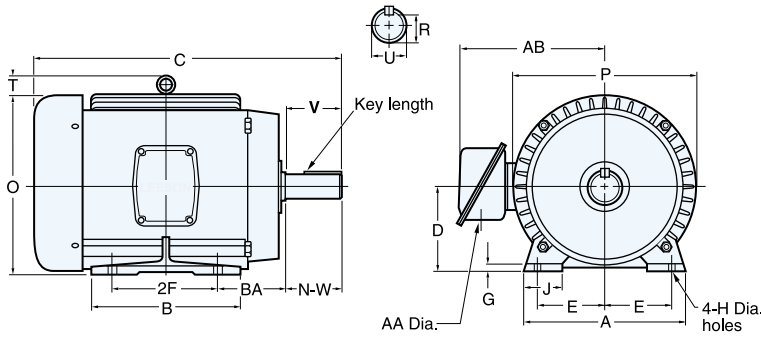


**NEMA EXPLOSION-PROOF • G-SERIES • RIGID MOUNT DIMENSIONS (Inches)**

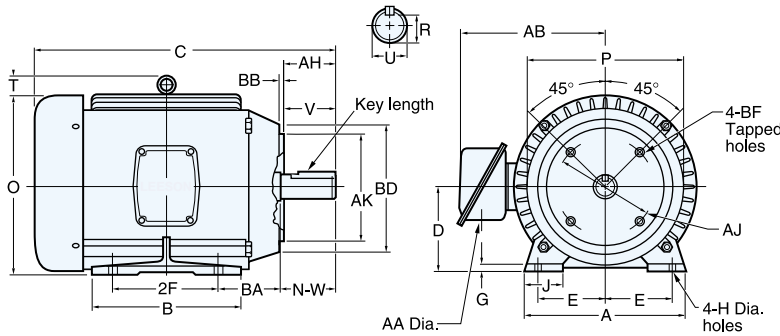
Frame Size	A	B	D	E	2F*	G	H	J	K	N	O	P	T	U	N-W	ES	AA	AB	AC	AF	BA	BS	KEY	C Dim
182T 184T	8.88	7.75	—	3.75	6.75	0.45	0.41-0.46	1.56	—	2.78	9.36	9.76	2.62	1.125	2.75	1.75	0.75	9.73	7.13	—	2.75	3.37	0.25	17.12
213T 215T	10.38	8.50	5.19 5.25	4.25	7.00	0.60	0.44	1.87	—	3.41	10.60	11.50	2.62	1.375	3.38	2.38	0.75	10.94	8.32	2.55	3.50	3.50	0.31	20.18
254T 256T	12.12	10.25	6.19 6.25	5.00	8.25 10.00	0.55	0.53-0.58	2.08	—	4.19	14.07	14.12	—	1.625	4.00	2.88	1.25	13.67	10.65	3.12	4.25	4.12 5.00	0.38	23.52 25.27
284T 284TS 286T 286TS	13.00	11.50 13.00	6.94 7.00	5.50	9.50 11.00	0.88	0.53-0.58	2.50	2.50	4.81 3.44 4.81 3.44	14.74	15.50	3.25	1.875 1.625 1.875 1.625	4.62	3.25 1.88 3.25 1.88	1.50	15.33	11.44	5.38	4.75	4.75	0.50 0.38 0.50 0.38	26.30 24.94 27.80 26.44
324T 324TS 326T 326TS	15.75	13.00 14.50	7.94 8.00	6.25	10.50 12.00	0.86	0.66-0.71	3.50	—	5.50 4.00 5.50 4.00	17.10	16.00	3.25	2.125 1.875 2.125 1.875	5.25 3.75 5.25 3.75	3.88 2.00 3.88 2.00	2.00	16.50	12.64	5.38	5.25	5.25	0.50 0.50	28.87 27.37 30.37 28.87
364T 364TS 365T 365TS	17.75	13.25 14.25	8.94 9.00	7.00	11.25 12.25	1.12	0.66-0.71	4.00	3.25	6.12 4.00 6.12 4.00	19.00	20.00	3.62	2.375 1.875 2.375 1.875	5.88 3.75 5.88 3.75	4.24	2.50	19.75	14.50	5.38	5.88	5.62 0.62 6.12	0.62	31.50 29.38 32.50 30.38
405T 405TS	19.25	16.25	—	8.00	13.75	1.12	0.81-0.86	4.25	3.75	7.50 4.50	20.87	21.75	3.62	2.875 2.125	7.25 4.25	5.62 2.75	2.50	21.50	16.38	5.38	6.62	6.88	0.75 0.50	37.12 34.12
444T 444TS 445T 445TS 449T 449TS	21.50	18.00 19.75 28.25	10.94 11.00	9.00	14.50 16.50 25.00	1.25 1.22 1.25	0.81-0.86	3.75	4.50 5.12 9.88	8.75 5.00 8.75 5.00	23.12 24.25 24.11 26.31 24.19	24.25 26.31 26.31	3.62 2.44 0.77	3.375 2.375 3.375 2.375	8.50 4.75 8.50 4.75	6.88 3.00 6.88 3.00	2.50 3.00	22.75 27.24 26.09	17.50 20.06 18.88	5.38 6.18	7.50	7.25 8.25 1.78	0.88 0.62 0.88 0.62	41.25 37.50 43.19 39.44 51.69 47.97

\* 182-4T and 213-5T frames have eight-hole bases. 449T and TS frames have six-hole bases. Others have four-hole bases.

RIGID MOUNT 150 & 170 SERIES



C FACE 150 & 170 SERIES



NEMA SHAFT AND KEYWAY DIMENSIONS (Inches)

NEMA SHAFT (U)	KEYWAY DIMENSIONS (R) (S)		NEMA SHAFT (U)	KEYWAY DIMENSIONS (R) (S)	
	(R)	(S)		(R)	(S)
3/8	21/64	FLAT	1-7/8	1-19/32	1/2
1/2	29/64	FLAT	2-1/8	1-27/32	1/2
5/8	33/64	3/16	2-3/8	2-1/64	5/8
7/8	49/64	3/16	2-1/2	2-3/16	5/8
1-1/8	63/64	1/4	2-7/8	2-29/64	3/4
1-3/8	1-13/64	5/16	3-3/8	2-7/8	7/8
1-5/8	1-13/32	3/8	3-7/8	3-5/16	1

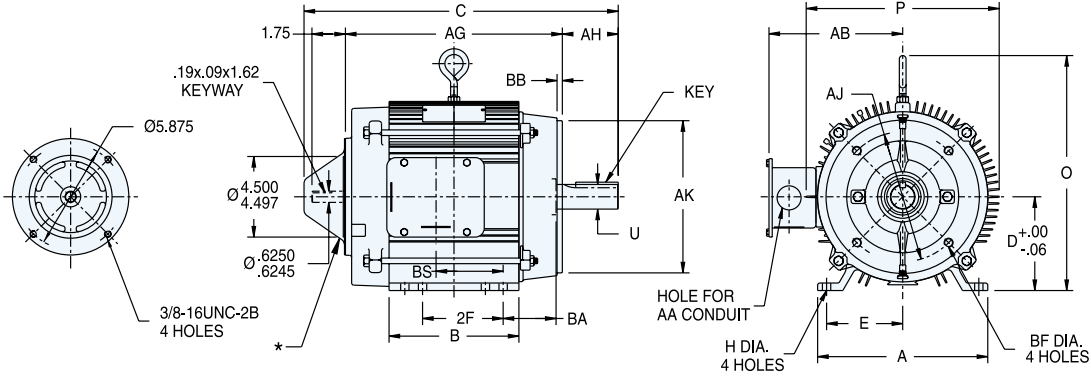
■ S is keyway width.  
U minus R is keyway depth.

NEMA CAST IRON FRAME • 150 & 170 SERIES DIMENSIONS (Inches)

Frame Size ▲	B		D	E	2F	H	N	O	P	U	N-W	AA	AB	AH	AJ	AK	BA	BB	BD	T	TEFC ODP	V	T TS	TAP **	KEY
182T	7 1/4	6 7/8	4 1/2	3 3/4	4 1/2	13/32	2 7/8	8 3/4	8 5/32	1 1/8	2 3/4	3/4	6 3/8	2 5/8	7 1/4	8 1/2	*2 3/4	1/4	8 7/8	1 9/16		2 1/2	1/2-13	1/4	
184T	7 1/4	6 7/8	4 1/2	3 3/4	5 1/2	13/32	2 7/8	8 3/4	8 5/32	1 1/8	2 3/4	3/4	6 3/8	2 5/8	7 1/4	8 1/2	*2 3/4	1/4	8 7/8	1 9/16		2 1/2	1/2-13	1/4	
213T	7 1/2	7 1/2	5 1/4	4 1/4	5 1/2	13/32	—	10 11/16	10 13/16	1 3/8	3 3/8	1	8 5/16	3 1/8	7 1/4	8 1/2	*3 1/2	1/4	9	1 15/16		3 1/8	1/2-13	5/16	
215T	9	9	5 1/4	4 1/4	7	13/32	—	10 11/16	10 13/16	1 3/8	3 3/8	1	8 5/16	3 1/8	7 1/4	8 1/2	*3 1/2	1/4	9	2		3 1/8	1/2-13	5/16	
254T	10 3/8	10 3/8	6 1/4	5	8 1/2	17/32	—	12 15/16	13 1/4	1 5/8	4	1 1/4	11 5/8	3 3/4	7 1/4	8 1/2	*4 1/4	1/4	9 5/8	2 19/32		3 3/4	1/2-13	3/8	
256T	12 1/8	12 1/8	6 1/4	5	10	17/32	—	12 15/16	13 1/4	1 5/8	4	1 1/4	11 5/8	3 3/4	7 1/4	8 1/2	*4 1/4	1/4	9 5/8	2 11/16		3 3/4	1/2-13	3/8	
284TS	11 3/4	11 3/4	7	5 1/2	9 1/2	17/32	—	14 1/2	14 3/4	1 5/8	3 1/4	1 1/2	11 3/4	3	9	10 1/2	4 3/4	1/4	11	2 19/32		4 3/8	1/2-13	3/8	
284T	11 3/4	11 3/4	7	5 1/2	9 1/2	17/32	—	14 1/2	14 3/4	1 5/8	3 1/4	1 1/2	11 3/4	3	9	10 1/2	4 3/4	1/4	11	2 19/32		4 3/8	1/2-13	1/2	
286TS	13 1/4	13 1/4	7	5 1/2	11	17/32	—	14 1/2	14 3/4	1 5/8	3 1/4	1 1/2	11 3/4	3	9	10 1/2	4 3/4	1/4	11	3 1/8		3	1/2-13	3/8	
286T	13 1/4	13 1/4	7	5 1/2	11	17/32	—	14 1/2	14 3/4	1 5/8	3 1/4	1 1/2	11 3/4	3	9	10 1/2	4 3/4	1/4	11	3 1/8		3	1/2-13	1/2	
324TS	12 7/8	13 3/8	8	6 1/4	10 1/2	21/32	—	15 3/4	15 3/4	1 7/8	3 3/4	2	13 1/2	3 1/2	11	12 1/2	5 1/4	1/4	13 3/8	2 3/4		5	5/8-11	1/2	
324T	12 7/8	13 3/8	8	6 1/4	10 1/2	21/32	—	15 3/4	15 3/4	1 7/8	3 3/4	2	13 1/2	3 1/2	11	12 1/2	5 1/4	1/4	13 3/8	2 3/4		5	5/8-11	1/2	
326TS	14 3/8	14 7/8	8	6 1/4	12	21/32	—	15 3/4	15 3/4	1 7/8	3 3/4	2	13 1/2	3 1/2	11	12 1/2	5 1/4	1/4	13 3/8	2 3/4		3 1/2	5/8-11	1/2	
326T	14 3/8	14 7/8	8	6 1/4	12	21/32	—	15 3/4	15 3/4	1 7/8	3 3/4	2	13 1/2	3 1/2	11	12 1/2	5 1/4	1/4	13 3/8	2 3/4		3 1/2	5/8-11	1/2	
364TS	13 3/8	14 7/16	9	7	11 1/4	21/32	—	17 13/16	16	1 7/8	3 3/4	3	15 7/16	3 1/2	11	12 1/2	5 7/8	1/4	14	2 1/2		5 5/8	5/8-11	1/2	
364T	13 3/8	14 7/16	9	7	11 1/4	21/32	—	17 13/16	16	1 7/8	3 3/4	3	15 7/16	3 1/2	11	12 1/2	5 7/8	1/4	14	2 1/2		5 5/8	5/8-11	1/2	
365TS	14 3/8	15 7/16	9	7	12 1/4	21/32	—	17 13/16	16	1 7/8	3 3/4	3	15 7/16	3 1/2	11	12 1/2	5 7/8	1/4	14	2 13/16		3 1/2	5/8-11	1/2	
365T	14 3/8	15 7/16	9	7	12 1/4	21/32	—	17 13/16	16	1 7/8	3 3/4	3	15 7/16	3 1/2	11	12 1/2	5 7/8	1/4	14	2 13/16		3 1/2	5/8-11	1/2	
404TS	15 15/16	15 15/16	10	8	12 1/4	13/16	—	19 5/16	19 1/8	2 1/8	4 1/4	3	16 5/16	4	11	12 1/2	6 5/8	1/4	15 1/2	2 25/32		7	5/8-11	1/2	
404T	15 15/16	15 15/16	10	8	12 1/4	13/16	—	19 5/16	19 1/8	2 1/8	4 1/4	3	16 5/16	4	11	12 1/2	6 5/8	1/4	15 1/2	2 25/32		7	5/8-11	1/2	
405TS	17 7/16	17 7/16	10	8	13 3/4	13/16	—	19 5/16	19 1/8	2 1/8	4 1/4	3	16 5/16	4	11	12 1/2	6 5/8	1/4	15 1/2	2 25/32		4	5/8-11	1/2	
405T	17 7/16	17 7/16	10	8	13 3/4	13/16	—	19 5/16	19 1/8	2 1/8	4 1/4	3	16 5/16	4	11	12 1/2	6 5/8	1/4	15 1/2	2 25/32		4	5/8-11	1/2	
444T	18 11/16	20 5/8	11	9	14 1/2	13/16	—	22 1/4	22	3 3/8	8 1/2	3	21 11/16	8 1/4	14	16	7 1/2	1/4	18	3		8 1/4	5/8-11	7/8	
444TS	18 11/16	20 5/8	11	9	14 1/2	13/16	—	22 1/4	22	3 3/8	8 1/2	3	21 11/16	8 1/4	14	16	7 1/2	1/4	18	3		8 1/4	5/8-11	5/8	
445T	20 5/8	20 5/8	11	9	16 1/2	13/16	—	22 1/4	22	3 3/8	8 1/2	3	21 11/16	8 1/4	14	16	7 1/2	1/4	18	3 3/4		4 1/2	5/8-11	7/8	
445TS	20 5/8	20 5/8	11	9	16 1/2	13/16	—	22 1/4	22	3 3/8	8 1/2	3	21 11/16	8 1/4	14	16	7 1/2	1/4	18	3 3/4		4 1/2	5/8-11	7/8	
447T	24 3/16	29 1/8	11	9	20	13/16	—	24 1/4	26 1/2	3 3/8	10 1/8	3	25 15/16	8 1/4	14	16	7 1/2	1/4	18	3 3/16		8 1/4	5/8-11	7/8	
449T	24 3/16	29 1/8	11	9	20	13/16	—	24 1/4	26 1/2	3 3/8	10 1/8	3	25 15/16	8 1/4	14	16	7 1/2	1/4	18	3 3/16		8 1/4	5/8-11	7/8	

\* 213-5TC NEMA C face BA dimension is 4 1/4".  
 \*\* 326TC and smaller have 4 mounting holes in NEMA C face, 364TC and larger have 8 mounting holes.  
 ▲ Blue shading denotes dimensions established by NEMA standard MG1, others are unique to LEESON, and will vary with each manufacturer.

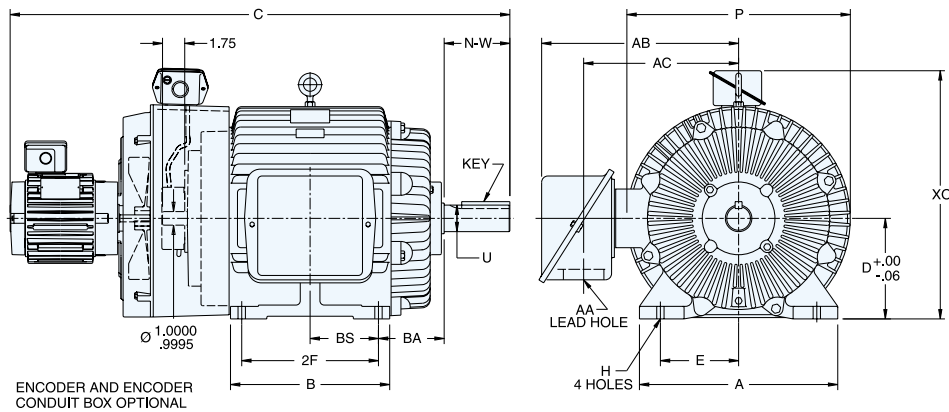
**TENV—C FACE, RIGID BASE**



**TENV • C FACE • RIGID BASE • DIMENSIONS (Inches)**

Frame Size	D	E	2F	H	O MAX.	P MAX.	U	AA	AB MAX.	AG MAX.	AH	AJ	AK	BA	BB	BF	BS	KEY
143TC	3.50	2.75	4.00	.38	7.45	7.98	.875	1.09	7.04	9.25	2.12	5.875	4.50	2.62	.13	3/8-16	2.81	.19 x .19 x 1.38
145TC	3.50	2.75	5.00	.35	7.45	7.98	.875	1.09	7.04	10.25	2.12	5.875	4.50	2.62	.13	3/8-16	3.81	.19 x .19 x 1.38
182TC	4.50	3.75	4.50	.41	9.36	9.76	1.125	1.09	8.08	11.75	2.62	7.250	8.50	3.50	.27	1/2-13	2.25	.25 x .25 x 1.75
184TC	4.50	3.75	5.50	.41	9.36	9.76	1.125	1.09	8.08	12.75	2.62	7.250	8.50	3.50	.27	1/2-13	2.75	.25 x .25 x 1.75
213TC	5.25	4.25	5.50	.44	10.97	11.50	1.375	1.09	9.31	15.12	3.12	7.250	8.50	4.25	.27	1/2-13	3.50	.31 x .31 x 2.38
215TC	5.25	4.25	7.00	.44	10.97	11.50	1.375	1.09	9.31	17.31	3.12	7.250	8.50	4.25	.27	1/2-13	6.18	.31 x .31 x 2.38
254TC	6.25	5.00	8.25	.53	14.09	14.27	1.625	1.25	9.83	19.06	3.75	7.250	8.50	4.75	.27	1/2-13	6.31	.38 x .38 x 2.88
256TC	6.25	5.00	10.00	.56	14.09	14.27	1.625	1.25	11.08	18.82	3.75	7.250	8.50	4.75	.27	1/2-13	5.00	.38 x .38 x 2.88
284TC	7.00	5.50	9.50	.56	14.16	14.32	1.875	1.50	12.31	20.57	4.38	9.000	10.50	4.75	.27	1/2-13	5.50	.50 x .50 x 3.25

**TBEC—TOTALLY ENCLOSED BLOWER COOLED, RIGID BASE**

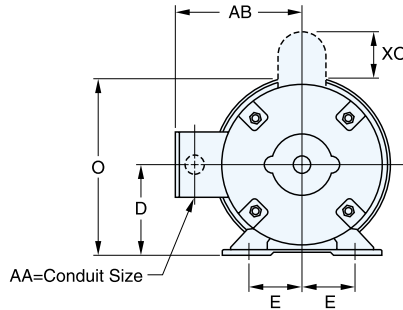
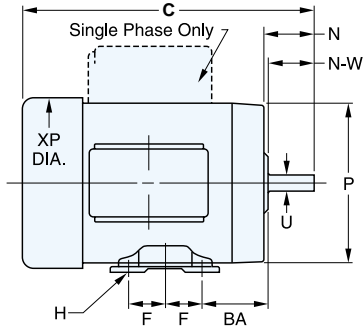


**TBEC • TOTALLY ENCLOSED BLOWER COOLED • RIGID BASE • DIMENSIONS (Inches)**

Frame Size	D	E	2F	H	O MAX.	P MAX.	U	AA	AB MAX.	AC MAX.	BA	BS	FU	N-W	KEY
325T	8.00	6.25	10.50	.66	16.00	15.88	2.12	2.00	13.69	10.69	5.25	5.25	1.00	5.25	.50 x .50 x 3.88
326T	8.00	6.25	12.00	.66	16.00	15.88	2.12	2.00	13.69	10.69	5.25	6.00	1.00	5.25	.50 x .50 x 3.88
364T	9.00	7.00	11.25	.66	19.00	20.00	2.38	3.62	17.85	14.56	5.88	5.62	1.00	5.88	.62 x .62 x 4.25
365T	9.00	7.00	12.25	.66	19.00	20.00	2.38	3.62	17.85	14.56	5.88	6.12	1.00	5.88	.62 x .62 x 4.25
404T	10.00	8.00	12.25	.81	20.88	21.75	2.88	3.62	18.75	14.75	6.62	6.12	1.00	7.25	.75 x .75 x 5.62
405T	10.00	8.00	13.75	.81	20.88	21.75	2.88	3.62	19.75	16.25	6.62	6.88	1.00	7.25	.75 x .75 x 5.62
444T	11.00	9.00	14.50	.81	24.19	25.31	3.38	3.62	20.94	17.38	7.50	7.25	1.00	8.50	.88 x .88 x 6.88
445T	11.00	9.00	16.50	.81	24.19	26.31	3.38	3.62	20.94	17.38	7.50	8.25	1.00	8.50	.88 x .88 x 6.88
449T	11.00	9.00	25.00	.81	24.22	26.31	3.38	4.62	25.90	19.31	7.50	1.78	1.00	8.50	.88 x .88 x 6.88

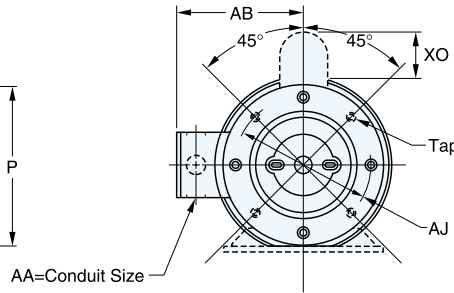
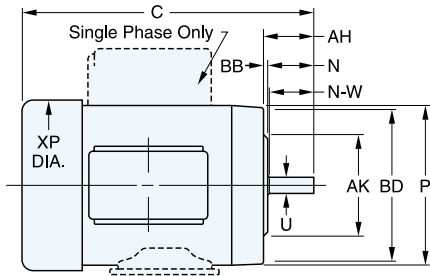
Dimensions

**RIGID MOUNT**



The condensed dimensions shown on these pages are for general reference only and are not for construction. The overall length or "C" dimension for each catalog item is included in this catalog. Certified drawings of all ratings are available for construction purposes.

**C FACE**



**NEMA SHAFT AND KEYWAY DIMENSIONS (Inches)**

NEMA SHAFT (U)	KEYWAY DIMENSIONS (S)		NEMA SHAFT (U)	KEYWAY DIMENSIONS (S)	
	(R)	(S)		(R)	(S)
3/8	21/64	FLAT	1-7/8	1-19/32	1/2
1/2	29/64	FLAT	2-1/8	1-27/32	1/2
5/8	33/64	3/16	2-3/8	2-1/64	5/8
7/8	49/64	3/16	2-1/2	2-3/16	5/8
1-1/8	63/64	1/4	2-7/8	2-29/64	3/4
1-3/8	1-13/64	5/16	3-3/8	2-7/8	7/8
1-5/8	1-13/32	3/8	3-7/8	3-5/16	1

■ S is keyway width.  
U minus R is keyway depth.

**NEMA STEEL FRAME DIMENSIONS (Inches)**

Frame Size ▲	D	E	F	H	N	O	P	U	N-W	AA	AB	AH	AJ	AK	BA	BB	BD	XO	XP	TAP **	KEY
42	2 <sup>5</sup> / <sub>8</sub>	1 <sup>3</sup> / <sub>4</sub>	27 <sup>3</sup> / <sub>32</sub>	9 <sup>3</sup> / <sub>32</sub> Slot	1 <sup>1</sup> / <sub>4</sub>	5 <sup>1</sup> / <sub>16</sub>	4 <sup>7</sup> / <sub>8</sub>	3 <sup>3</sup> / <sub>8</sub>	1 <sup>1</sup> / <sub>8</sub>	3 <sup>3</sup> / <sub>8</sub>	4 <sup>1</sup> / <sub>2</sub>	1 <sup>5</sup> / <sub>16</sub>	3 <sup>3</sup> / <sub>4</sub>	3	2 <sup>1</sup> / <sub>16</sub>	1 <sup>7</sup> / <sub>8</sub>	4 <sup>7</sup> / <sub>8</sub>	1 <sup>5</sup> / <sub>8</sub>	5 <sup>1</sup> / <sub>8</sub>	1 <sup>4</sup> / <sub>4</sub> -20	3 <sup>3</sup> / <sub>64</sub> Flat
48	3	2 <sup>1</sup> / <sub>8</sub>	1 <sup>3</sup> / <sub>8</sub>	11 <sup>1</sup> / <sub>32</sub> Slot	1 <sup>9</sup> / <sub>16</sub>	5 <sup>13</sup> / <sub>16</sub>	5 <sup>19</sup> / <sub>32</sub>	1 <sup>1</sup> / <sub>2</sub>	1 <sup>1</sup> / <sub>2</sub>	1 <sup>1</sup> / <sub>2</sub>	4 <sup>7</sup> / <sub>8</sub>	1 <sup>11</sup> / <sub>16</sub>	3 <sup>3</sup> / <sub>4</sub>	3	2 <sup>1</sup> / <sub>2</sub>	1 <sup>7</sup> / <sub>8</sub>	5	2 <sup>1</sup> / <sub>4</sub>	5 <sup>7</sup> / <sub>8</sub>	1 <sup>4</sup> / <sub>4</sub> -20	3 <sup>3</sup> / <sub>64</sub> Flat
S56 56	3 <sup>1</sup> / <sub>2</sub>	2 <sup>7</sup> / <sub>16</sub>	1 <sup>1</sup> / <sub>2</sub>	11 <sup>1</sup> / <sub>32</sub> Slot	1 <sup>15</sup> / <sub>16</sub>	6 <sup>5</sup> / <sub>16</sub> 6 <sup>13</sup> / <sub>16</sub>	5 <sup>19</sup> / <sub>32</sub> 6 <sup>19</sup> / <sub>32</sub>	5 <sup>9</sup> / <sub>8</sub>	1 <sup>7</sup> / <sub>8</sub>	1 <sup>1</sup> / <sub>2</sub>	4 <sup>7</sup> / <sub>8</sub> 5 <sup>5</sup> / <sub>16</sub>	2 <sup>1</sup> / <sub>16</sub>	5 <sup>7</sup> / <sub>8</sub>	4 <sup>1</sup> / <sub>2</sub>	2 <sup>3</sup> / <sub>4</sub>	1 <sup>7</sup> / <sub>8</sub>	6 <sup>1</sup> / <sub>2</sub>	2 <sup>1</sup> / <sub>4</sub>	5 <sup>7</sup> / <sub>8</sub> 7 <sup>5</sup> / <sub>32</sub>	3 <sup>3</sup> / <sub>8</sub> -16	3 <sup>3</sup> / <sub>16</sub>
143T 145T	3 <sup>1</sup> / <sub>2</sub>	2 <sup>3</sup> / <sub>4</sub>	2 2 <sup>1</sup> / <sub>2</sub>	11 <sup>1</sup> / <sub>32</sub>	2 <sup>3</sup> / <sub>8</sub>	6 <sup>13</sup> / <sub>16</sub>	6 <sup>19</sup> / <sub>32</sub>	7 <sup>7</sup> / <sub>8</sub>	2 <sup>1</sup> / <sub>4</sub>	3 <sup>3</sup> / <sub>4</sub>	5 <sup>5</sup> / <sub>16</sub>	2 <sup>1</sup> / <sub>8</sub>	5 <sup>7</sup> / <sub>8</sub>	4 <sup>1</sup> / <sub>2</sub>	*2 <sup>1</sup> / <sub>4</sub>	1 <sup>7</sup> / <sub>8</sub>	6 <sup>1</sup> / <sub>2</sub>	2 <sup>1</sup> / <sub>4</sub>	7 <sup>5</sup> / <sub>32</sub>	3 <sup>3</sup> / <sub>8</sub> -16	3 <sup>3</sup> / <sub>16</sub>
182T 184T	4 <sup>1</sup> / <sub>2</sub>	3 <sup>3</sup> / <sub>4</sub>	2 <sup>1</sup> / <sub>4</sub> 2 <sup>3</sup> / <sub>4</sub>	13 <sup>1</sup> / <sub>32</sub>	2 <sup>7</sup> / <sub>8</sub>	8 <sup>3</sup> / <sub>4</sub>	8 <sup>15</sup> / <sub>32</sub>	1 <sup>1</sup> / <sub>8</sub>	2 <sup>3</sup> / <sub>4</sub>	3 <sup>3</sup> / <sub>4</sub>	6 <sup>7</sup> / <sub>16</sub>	2 <sup>5</sup> / <sub>8</sub>	7 <sup>1</sup> / <sub>4</sub>	8 <sup>1</sup> / <sub>2</sub>	*2 <sup>3</sup> / <sub>4</sub>	1 <sup>3</sup> / <sub>4</sub>	8 <sup>7</sup> / <sub>8</sub>	2 <sup>1</sup> / <sub>4</sub>	9 <sup>7</sup> / <sub>32</sub>	1 <sup>1</sup> / <sub>2</sub> -13	1 <sup>1</sup> / <sub>4</sub>
S213T 213T 215T	5 <sup>1</sup> / <sub>4</sub>	4 <sup>1</sup> / <sub>4</sub>	2 <sup>3</sup> / <sub>4</sub> 2 <sup>3</sup> / <sub>4</sub> 3 <sup>1</sup> / <sub>2</sub>	13 <sup>1</sup> / <sub>32</sub>	3 <sup>1</sup> / <sub>2</sub>	9 <sup>27</sup> / <sub>32</sub> 10 <sup>5</sup> / <sub>8</sub>	8 <sup>13</sup> / <sub>32</sub> 9 <sup>21</sup> / <sub>32</sub>	1 <sup>3</sup> / <sub>8</sub>	3 <sup>3</sup> / <sub>8</sub>	3 <sup>3</sup> / <sub>4</sub>	7 <sup>19</sup> / <sub>32</sub>	3 <sup>1</sup> / <sub>8</sub>	7 <sup>1</sup> / <sub>4</sub>	8 <sup>1</sup> / <sub>2</sub>	*3 <sup>1</sup> / <sub>2</sub>	1 <sup>3</sup> / <sub>4</sub>	8 <sup>7</sup> / <sub>8</sub> 8 <sup>5</sup> / <sub>8</sub>	2 <sup>1</sup> / <sub>4</sub>	9 <sup>7</sup> / <sub>32</sub> 10 <sup>13</sup> / <sub>16</sub>	1 <sup>1</sup> / <sub>2</sub> -13	5 <sup>1</sup> / <sub>16</sub>

\* 143-5TC NEMA C face BA dimension is 2<sup>3</sup>/<sub>4</sub>". 182-4TC NEMA C face BA dimension is 3<sup>1</sup>/<sub>2</sub>". 213-5TC NEMA C face BA dimension is 4<sup>1</sup>/<sub>4</sub>".  
 \*\* 326TC and smaller have 4 mounting holes in NEMA C face, 364TC and larger have 8 mounting holes.  
 ▲ Blue shading denotes dimensions established by NEMA standard MG1, others are unique to LEESON, and will vary with each manufacturer.